



SMOKE DAMPER MODEL KSD-333-1PB

UL555S LEAKAGE CLASS I

APPLICATION

MODEL KSD-333 is a UL555S Classified smoke damper used in dynamic smoke management system and to be used in smoke management system or other application requiring ultra low leakage rated damper.

Operation & Dynamic closure for Vertical & Horizontal mount with airflow on both sides rated:

- Max Static Pressure: up to 4" W.G (1000Pa)
- Max Velocity: up to 4000 FPM (20.3m/s).
- Operating Temp: up to 350°F (177°C).

STANDARD CONSTRUCTION

FRAME

16 gauge (1.6mm) galvanized steel interlocking hat section channel frame construction.

BLADES

16 gauge (1.6mm) galvanized 3 "V" formed.

BEARINGS

Sintered bronze, oil impregnated.

AXLES

1/2" (12.7mm) square zinc plated steel studs.

LINKAGE

0.12 x 0.50 (3x12.7mm) zinc plated steel concealed in the channel frame.

FINISH

Mill galvanized.

BLADES SEALS

Silicone edge type for smoke seal to 450°F (232°C)

JAMB SEALS

300 Series stainless steel, flexible metal compression type.

JACK SHAFT

1/2"(12.7mm) diameter zinc plated steel with jack-shaft connector coupling.

ACTUATOR

Electric spring return 230V, 120V or 24V and pneumatic.

CAULKING

UL approved silicone sealants: Dow Corning RTV-732, Nuflex 302.

SLEEVES

Rectangular.

MINIMUM SIZE Single Section

8" (203mm) Width x 8" (203mm) Height.

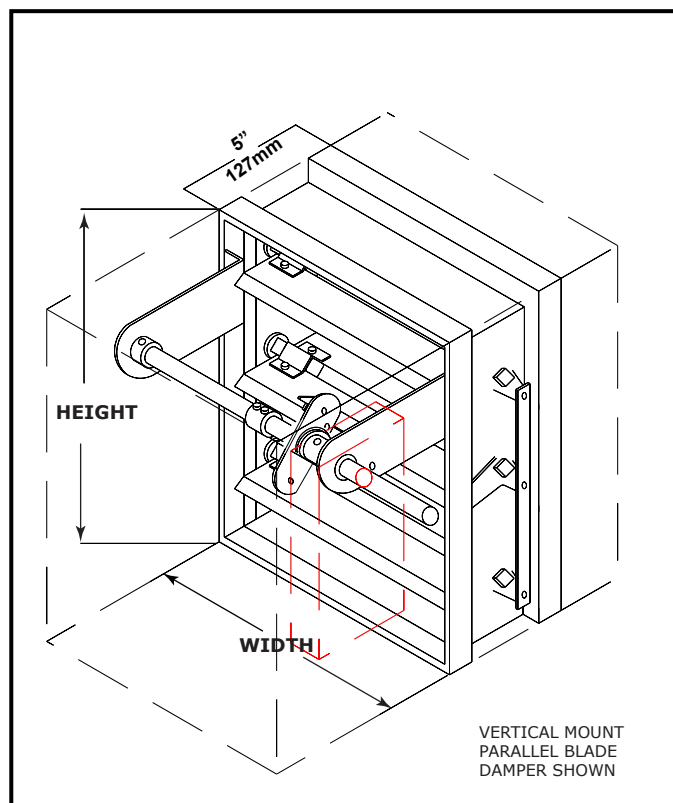
MAXIMUM SIZE Single Section

36" (914mm) Width x 36"(914mm) Height.

FEATURES.

*Each damper is marked with a UL555S Classified Smoke damper label for use in Dynamic system.

*Meets NFPA 90A, 92A&B criteria for smoke dampers.



OPTIONS

BEARINGS: Stainless steel.

ACTUATOR MOUNTING: External & internal.

OPTIONAL MATERIAL: Stainless steel construction.

SLEEVES: Round, oval and specials.

NOTES.

*Dampers furnished approximately 1/4" (6mm) smaller than given duct dimension

*Refer to the KBE Installation Instruction and supplements for complete installation details.

