



# FIRE SMOKE DAMPER MODEL KFSD-111-2PB

**UL555 1-1/2 HOUR FIRE RATED,  
UL555S LEAKAGE CLASS II**

## APPLICATION

MODEL KFSD-111 is a UL 555 & UL555S Classified combination fire smoke damper used in dynamic smoke management system and to be used in partitions with fire resistance ratings of less than 3 hours.

Operation & Dynamic closure for Vertical & Horizontal mount with airflow on both sides rated:

- Max Static Pressure: up to 4" W.G (1000Pa)
- Max Velocity: up to 4000 FPM. (20.3m/s)
- Operating Temp: up to 350°F. (177°C)

## STANDARD CONSTRUCTION

### FRAME

16 gauge (1.6mm) galvanized steel interlocking hat section channel frame construction.

### BLADES

16 gauge (1.6mm) galvanized 3 "V" formed.

### CLOSURE DEVICE.

Electronic Fusible link RS-100 with closure temperature of 165° F (74°C) (others available)

### BEARINGS

Sintered bronze, oil impregnated.

### AXLES

1/2" (12.7mm) square zinc plated steel studs.

### LINKAGE

0.12 x 0.50 (3x12.7mm) zing plated steel concealed in the channel frame.

### FINISH

Mill galvanized.

### BLADES SEALS

Silicone edge type for smoke seal to 450°F (232°C)

### JAMB SEALS

300 Series stainless steel, flexible metal compression type.

### JACK SHAFT

1/2"(12.7mm) diameter zinc plated steel with jack-shaft connector coupling.

### ACTUATOR

Electric spring return 230V, 120V or 24V and pneumatic.

### CAULKING

UL approved silicone sealants: Dow Corning RTV-732, Nuflex 302.

### SLEEVES

Rectangular.

### MINIMUM SIZE Single Section

8" (203mm) Width x 8" (203mm) Height.

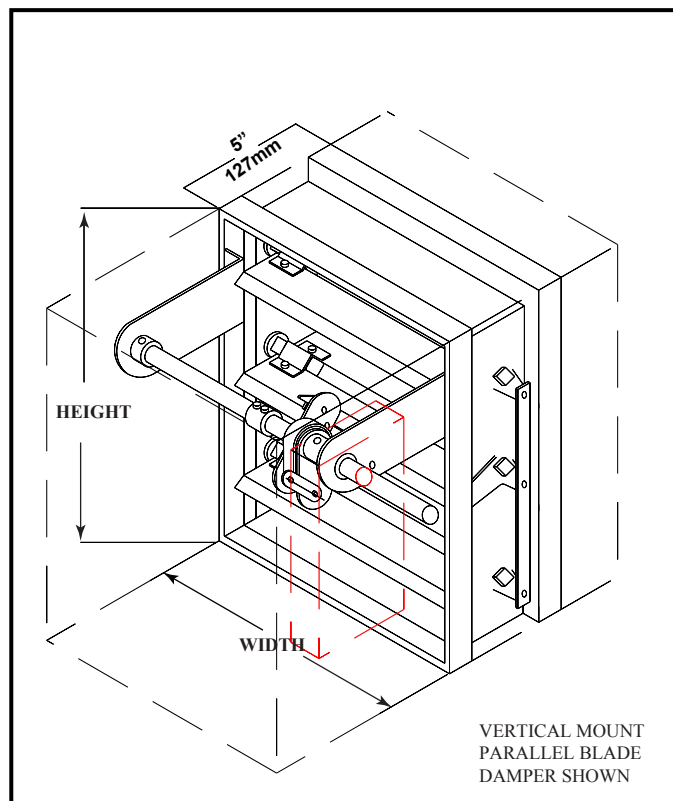
### MAXIMUM SIZE Single Section

36" (914mm) Width x 36"(914mm) Height.

## FEATURES.

\*Each damper is marked with a UL555 & UL555S Classified fire Smoke damper label for use in Dynamic system.

\*Meets NFPA 90A, 92A&B criteria for primary fire smoke dampers in walls and floors with fire resistance ratings of less than 3 hours.



VERTICAL MOUNT  
PARALLEL BLADE  
DAMPER SHOWN

## OPTIONS

CLOSURE DEVICE: RS-200, FUSIBLE LINK, RL.

BEARINGS: Stainless steel.

ACTUATOR MOUNTING: External & internal.

OPTIONAL MATERIAL: Stainless steel construction.

SLEEVES: Round, oval and specials.

## NOTES.

\*Dampers furnished approximately 1/4" (6mm) smaller than given duct dimension

\*Refer to the KBE Installation Instruction and supplements for complete installation details.

