



# FIRE SMOKE DAMPER MODEL KFSD-111-1PB

**UL555 1-1/2 HOUR FIRE RATED,  
UL555S LEAKAGE CLASS I**

## APPLICATION

MODEL KFSD-111 is a UL 555 & UL555S Classified combination fire smoke damper used in dynamic smoke management system and to be used in partitions with fire resistance ratings of less than 3 hours.  
Operation & Dynamic closure for Vertical & Horizontal mount with airflow on both sides rated:  
- Max Static Pressure: up to 4" W.G (1000Pa)  
- Max Velocity: up to 4000 FPM (20.3m/s).  
- Operating Temp: up to 350°F (177°C).

## STANDARD CONSTRUCTION

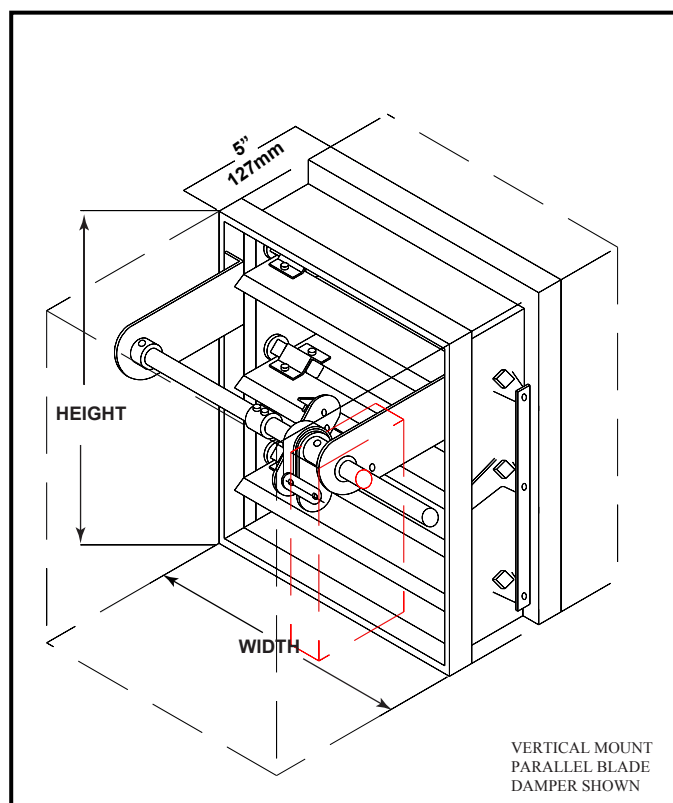
- FRAME**  
16 gauge (1.6mm) galvanized steel interlocking hat section channel frame construction.
- BLADES**  
16 gauge (1.6mm) galvanized 3 "V" formed.
- CLOSURE DEVICE.**  
Electronic Fusible link RS-100 with closure temperature of 165° F (74°C) (others available)
- BEARINGS**  
Sintered bronze, oil impregnated.
- AXLES**  
1/2" (12.7mm) square zinc plated steel studs.
- LINKAGE**  
0.12 x 0.50 (3x12.7mm) zinc plated steel concealed in the channel frame.
- FINISH**  
Mill galvanized.

- BLADES SEALS**  
Silicone edge type for smoke seal to 450°F (232°C)
- JAMB SEALS**  
300 Series stainless steel, flexible metal compression type.
- JACK SHAFT**  
1/2"(12.7mm) diameter zinc plated steel with jack-shaft connector coupling.
- ACTUATOR**  
Electric spring return 230V, 120V or 24V and pneumatic.
- CAULKING**  
UL approved silicone sealants: Dow Corning RTV-732, Nuflex 302.

- SLEEVES**  
Rectangular.
- MINIMUM SIZE Single Section**  
8" (203mm) Width x 8" (203mm) Height.
- MAXIMUM SIZE Single Section**  
36" (914mm) Width x 36"(914mm) Height.

## FEATURES.

- \*Each damper is marked with a UL555 & UL555S Classified fire Smoke damper label for use in Dynamic system.
- \*Meets NFPA 90A, 92A&B criteria for primary fire smoke dampers in walls and floors with fire resistance ratings of less than 3 hours.



VERTICAL MOUNT  
PARALLEL BLADE  
DAMPER SHOWN

## OPTIONS

- CLOSURE DEVICE: RS-200, FUSIBLE LINK, RL.
- BEARINGS: Stainless steel.
- ACTUATOR MOUNTING: External & internal.
- OPTIONAL MATERIAL: Stainless steel construction.
- SLEEVES: Round, oval and specials.

## NOTES.

- \*Dampers furnished approximately 1/4" (6mm) smaller than given duct dimension
- \*Refer to the KBE Installation Instruction and supplements for complete installation details.

