



# MODEL K75DY TYPE LC, LCR & LCO

**UL CLASSIFIED 3 HOURS RATING  
FOR USE IN DYNAMIC SYSTEM**

## APPLICATION

MODEL K75DY-L is approved for use in walls, floors and partitions with fire resistance ratings more than 3 hours. UL 555 classifies Dynamic rated Fire damper for use in HVAC systems that are operational in the event of fire.

Dynamic closure with airflow on both sides rated:

- Maximum pressure: to 4" W.G (1000Pa)
- Maximum Velocity: to 2400 FPM (12.2m/s)

## STANDARD CONSTRUCTION

### FRAME.

4-1/4" (108mm) Maximum X 22 (0.85mm) gauge Galvanized steel channel.

### BLADES.

22 (0.85mm) gauge Galvanized steel curtain type out of the air stream.

### FINISH.

Mill.

### CLOSURE SPRINGS.

301 Stainless Steel Spring.

### FUSIBLE LINK.

Standard 165° F ( 74° C).  
Other available.

### MOUNTING.

Vertical and Horizontal.

### MINIMUM SIZE.

Model K75 C ---- 4"Wx 4"H (100 x100mm).  
Model K75 CR ---- diameter 3" (76mm).  
Model K75 CO ---- diameter 3" (76mm).

### MAXIMUM SIZE.

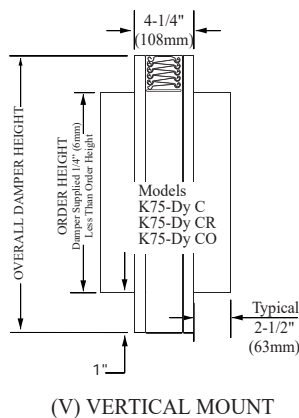
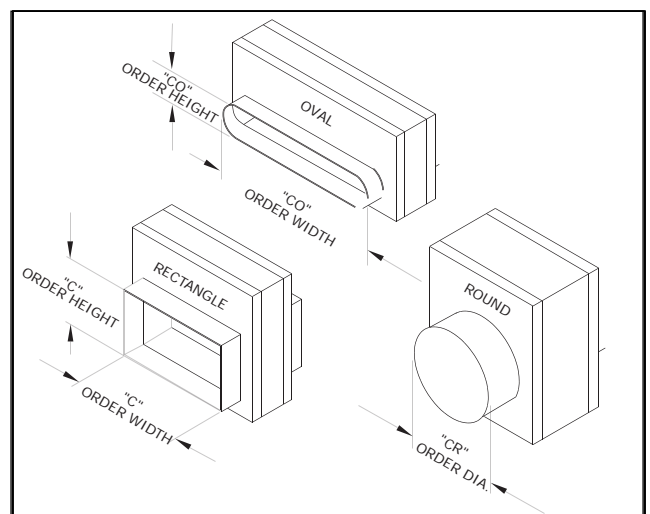
Model K75C Single Section:  
Vertical Installation ---- 34"Wx 31.75"H (864 x 806mm).  
Horizontal Installation ---- 22"Wx 20.75"H (559 x 527mm).

### Model K75CR & CO Single Section

Vertical Installation ---- Diameter 30.75" (781mm).  
Horizontal Installation ---- Diameter 19.75"(502mm).

## FEATURES.

- \*Closure spring operation for assured closure under air flow (fans on) in HVAC System.
- \*Each damper is marked with a 3 hours UL 555 Classified fire damper label for use in **Dynamic System**.
- \*Meets all UL and NFPA criteria for primary fire dampers in walls and floors with fire resistance ratings of more than 3 hours.



## VARIATION.

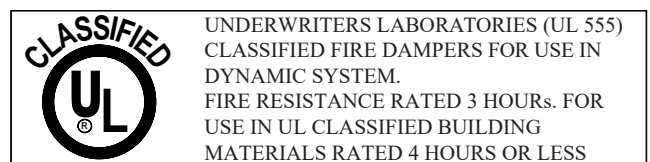
All UL Classified fire dampers must be fabricated in accordance with UL procedures. Available variation are limited to those incorporated in the approved procedures. Approved variations available at additional cost are :

- \*Factory furnished sleeves.

Sleeves are available in 10 (3mm) through 20 (1mm) gauge steel and in lengths required for the specific application.

## NOTES.

- \* Dampers furnished approximately 1/4"(6mm) smaller than given duct dimension
- \* Refer to the KBE Installation Instruction and supplements for complete installation details.

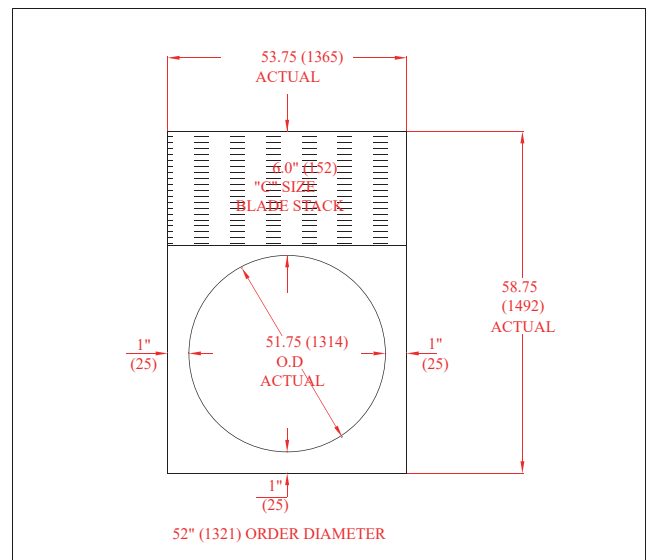
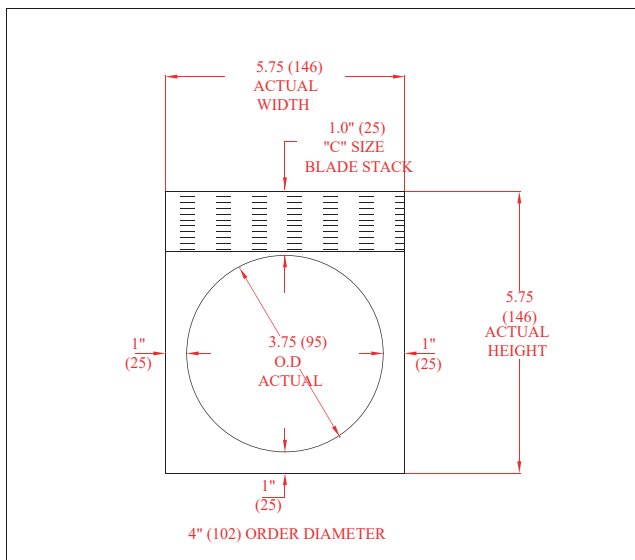


# MODEL K75DY TYPE LCR & LCO

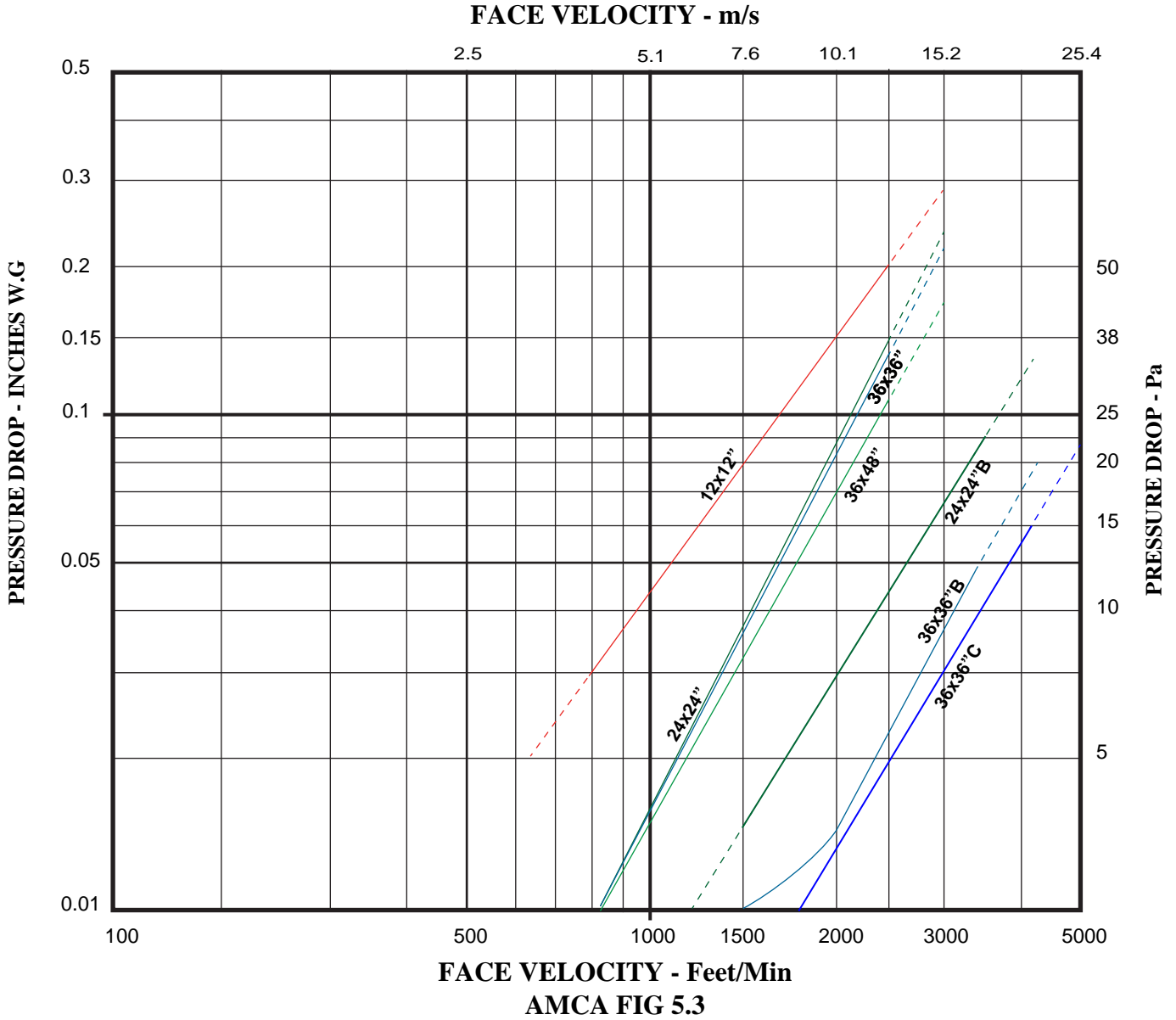
## ROUND SIZING CHART

ORDER DIAMETER Inch (mm)	DAMPER FRAME WIDTH X HEIGHT Inch (mm)
4" (102)	6 X 6" (152x152)
5" (127)	7 X 7" (178x178)
6" (152)	8 X 8" (203x203)
7" (178)	9 X 9" (229x229)
8" (203)	10 X 11" (254x279)
9" (229)	11 X 12" (279x305)
10" (254)	12 X 13" (305x330)
11" (279)	13 X 14" (330x356)
12" (305)	14 X 15" (356x381)
13" (330)	15 X 16" (381x406)
14" (356)	16 X 17" (406x432)
15" (381)	17 X 18" (432x457)
16" (406)	18 X 19" (457x483)
17" (432)	19 X 21" (483x533)
18" (457)	20 X 22" (508x559)
19" (483)	21 X 23" (533x584)
20" (508)	22 X 24" (559x610)
21" (533)	23 X 25" (584x635)
22" (559)	24 X 26" (610x660)
23" (584)	25 X 27" (635x686)
24" (610)	26 X 28" (660x711)
25" (635)	27 X 29" (686x737)
26" (660)	28 X 30" (711x762)
27" (686)	29 X 32" (737x813)
28" (711)	30 X 33" (711x838)

ORDER DIAMETER Inch (mm)	DAMPER FRAME WIDTH X HEIGHT Inch (mm)
29" (737)	31 X 34" (762x864)
30" (762)	32 X 35" (813x889)
31" (787)	33 X 36" (838x914)
32" (813)	34 X 37" (864x940)



# MODEL K75 PERFORMANCE DATA



## AMCA Test Figures

Figure 5.3 Illustrates a fully ducted damper. This configuration has the lowest pressure drop of the test configurations because entrance and exit losses are minimized by straight duct runs upstream and downstream of the damper.

Pressure drop for type C is applicable for Cr & CO

