



MODEL K75DY TYPE A

**UL CLASSIFIED 1-1/2 HOURS RATING
FOR USE IN DYNAMIC SYSTEM**

APPLICATION

MODEL K75DY is approved for use in walls, floors and partitions with fire resistance ratings less than 3 hours. UL 555 classifies Dynamic rated Fire damper for use in HVAC systems that are operational in the event of fire.

Dynamic closure with airflow on both sides rated:

- Maximum pressure: to 4" W.G (1000Pa)
- Maximum Velocity: to 2400 FPM (12.2m/s)

STANDARD CONSTRUCTION

FRAME.

4-1/4" (108mm) Maximum X 22 (0.85mm) gauge Galvanized steel channel.

BLADES.

22 (0.85mm) gauge Galvanized steel curtain type in the air stream.

FINISH.

Mill.

CLOSURE SPRINGS.

301 Stainless Steel Spring.

FUSIBLE LINK.

Standard 165° F (74° C). Other available.

MOUNTING.

Vertical and Horizontal.

MINIMUM SIZE.

Vertical and Horizontal Installation:
4"Wx 4"H (100 x100mm).

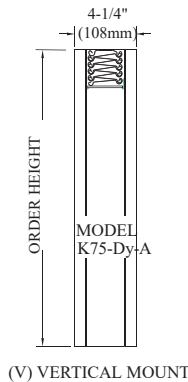
MAXIMUM SIZE.

Single Section Vertical Installation:

36"Wx 36"H (910 x 910mm)

Single Section Horizontal Installation:

24"Wx 24"H (610 x 610mm).

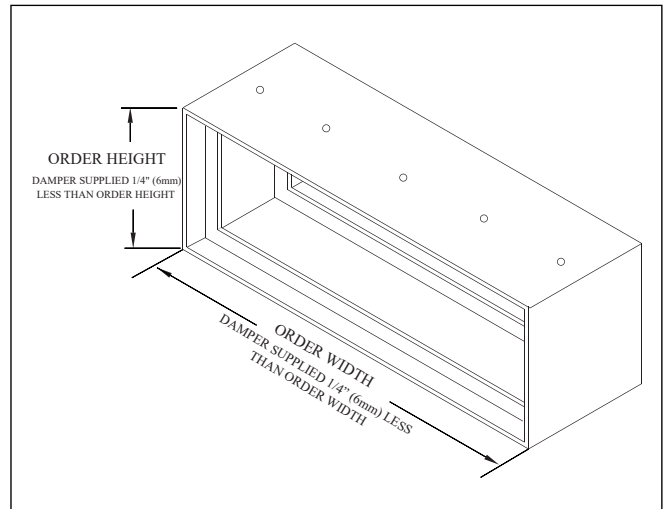


FEATURES.

*Closure spring operation for assured closure under air flow (fans on) in HVAC System.

*Each damper is marked with a 1-1/2 hours UL 555 Classified fire damper label for use in **Dynamic System**.

*Meets all UL and NFPA criteria for primary fire dampers in walls and floors with fire resistance ratings of less than 3 hours.



VARIATION.

All UL Classified fire dampers must be fabricated in accordance with UL procedures. Available variation are limited to those incorporated in the approved procedures.

Approved variations available at additional cost are :

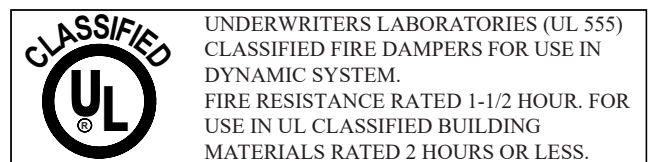
*Factory furnished sleeves.

Sleeves are available in 10 (3mm) through 20 (1mm) gauge steel and in lengths required for the specific application.

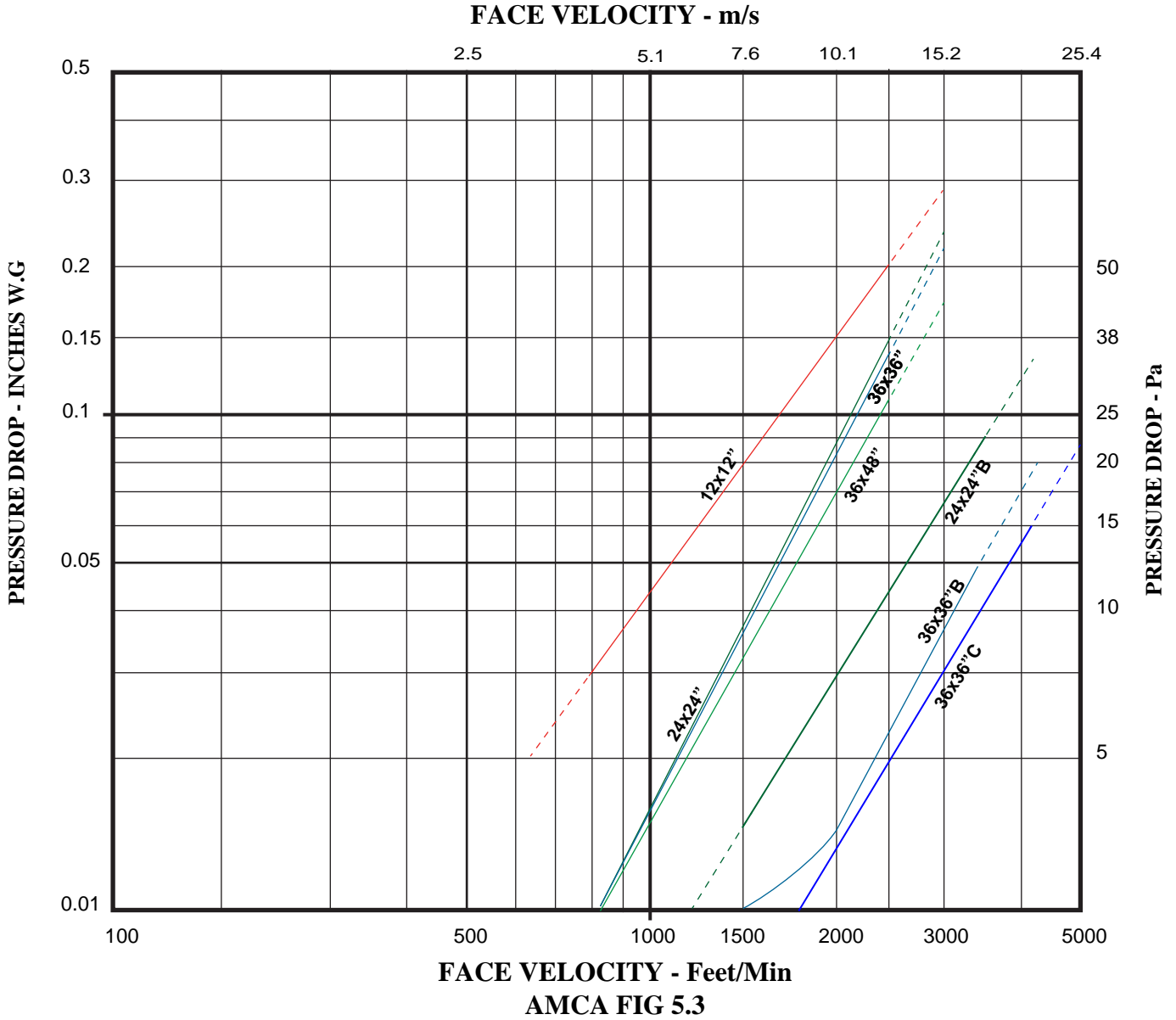
NOTES.

* Dampers furnished approximately 1/4"(6mm) smaller than given duct dimension

* Refer to the KBE Installation Instruction and supplements for complete installation details.



MODEL K75 PERFORMANCE DATA



AMCA Test Figures

Figure 5.3 illustrates a fully ducted damper. This configuration has the lowest pressure drop of the test configurations because entrance and exit losses are minimized by straight duct runs upstream and downstream of the damper.

Pressure drop for type C is applicable for Cr & CO

