

LOUVERS

MODEL K4-DL series

DRAINABLE BLADE LOUVER

APPLICATION

Designed with a drainable sill and drainable blades to protect air intake and exhaust openings in building exteriors by minimizing water penetration.

Water is carried off by an integral gutter in the blade which is channeled through an integral downspout in the jamb, the water is then routed back onto the louver sill and out the front of the louver which in most conditions eliminates the need for a subsill or flashing.



STANDARD CONSTRUCTION

FRAME

Extruded aluminum 2.0mm (⁵/₆₄" nominal wall thickness & 100mm (4") depth.

BLADES

Extruded aluminum 2.0mm (⁵/₆₄" nominal wall thickness.

BLADE CENTERS:

86 mm (3³/₈") maximum centers at head and sills.
Corrosion resistant steel fasteners used at assembly.

FLANGE:

30 mm flange can be added (K4-DLF model) (optional)

SCREEN:

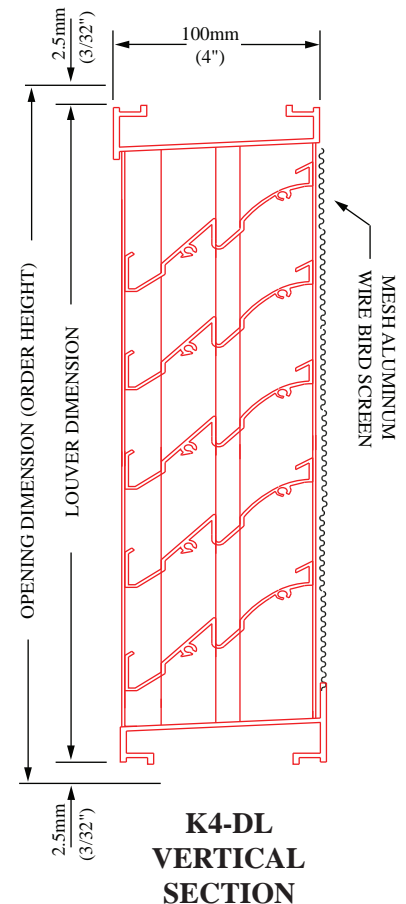
- Galvanized bird screen (standard)
- Aluminum bird screen
- Stainless steel bird screen
- Galvanized insect screen
- Aluminum insect screen
- Stainless steel insect screen

FINISH:

- Mill Finish (standard)
- Anodize
- All RAL colors

SIZES:

- Minimum width: 8"
- Minimum height: 8"
- Maximum single section:
Width 144" x Height 92"
- Width 92" x Height 144"
- Multiple section: Unlimited
- Maximum single section area: 13248 in²



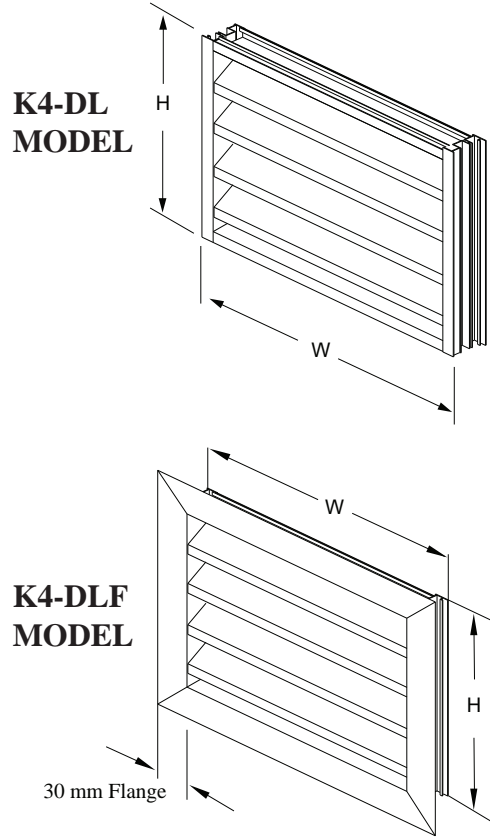
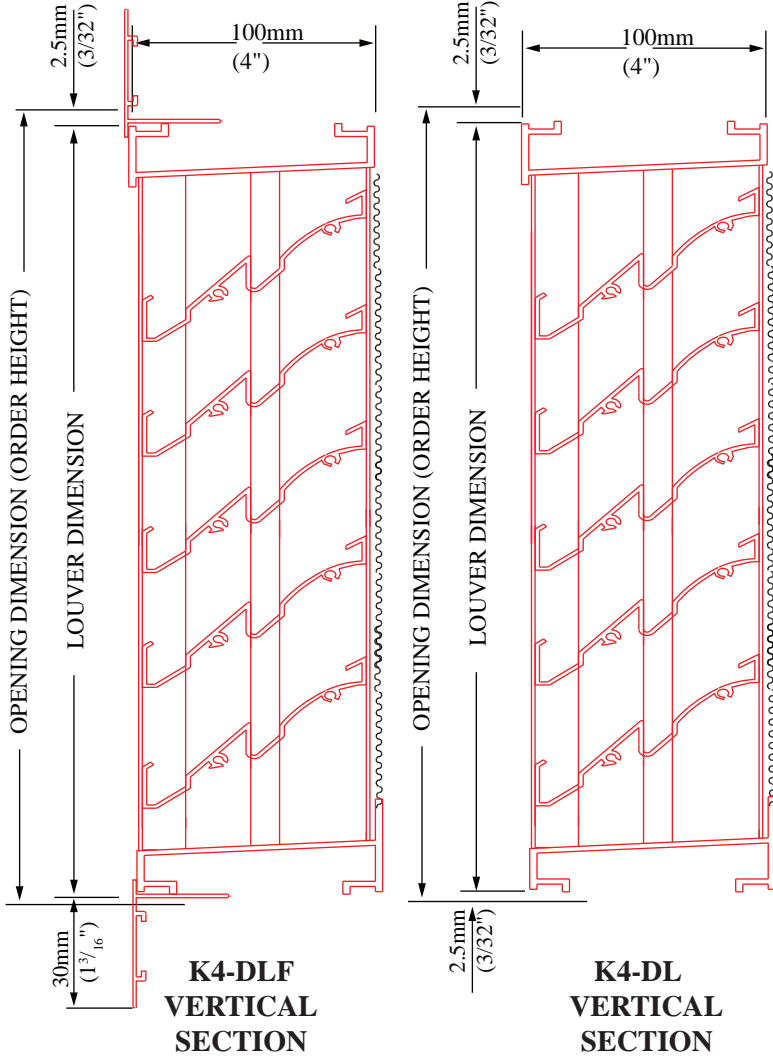
N.B: 5mm clearance is deducted from your order size.
For more information please consult our engineers.

LOUVERS

MODEL K4-DL series

DRAINABLE BLADE LOUVER

ILLUSTRATION



SINGLE SECTION LOUVER	MULTIPLE SECTION LOUVERS
<p style="text-align: center;">SECTION</p> <p style="text-align: center;">HIDDEN REINFORCEMENT BAR FOR WIDTH LARGER THAN 54"</p> <p style="text-align: center;">SINGLE SECTION LOUVER</p>	<p style="text-align: center;">OPENING DIMENSION (ORDER WIDTH)</p> <p style="text-align: center;">MULTIPLE SECTION LOUVERS</p> <p style="text-align: center;">INTERLOCKING MULLIONS</p>

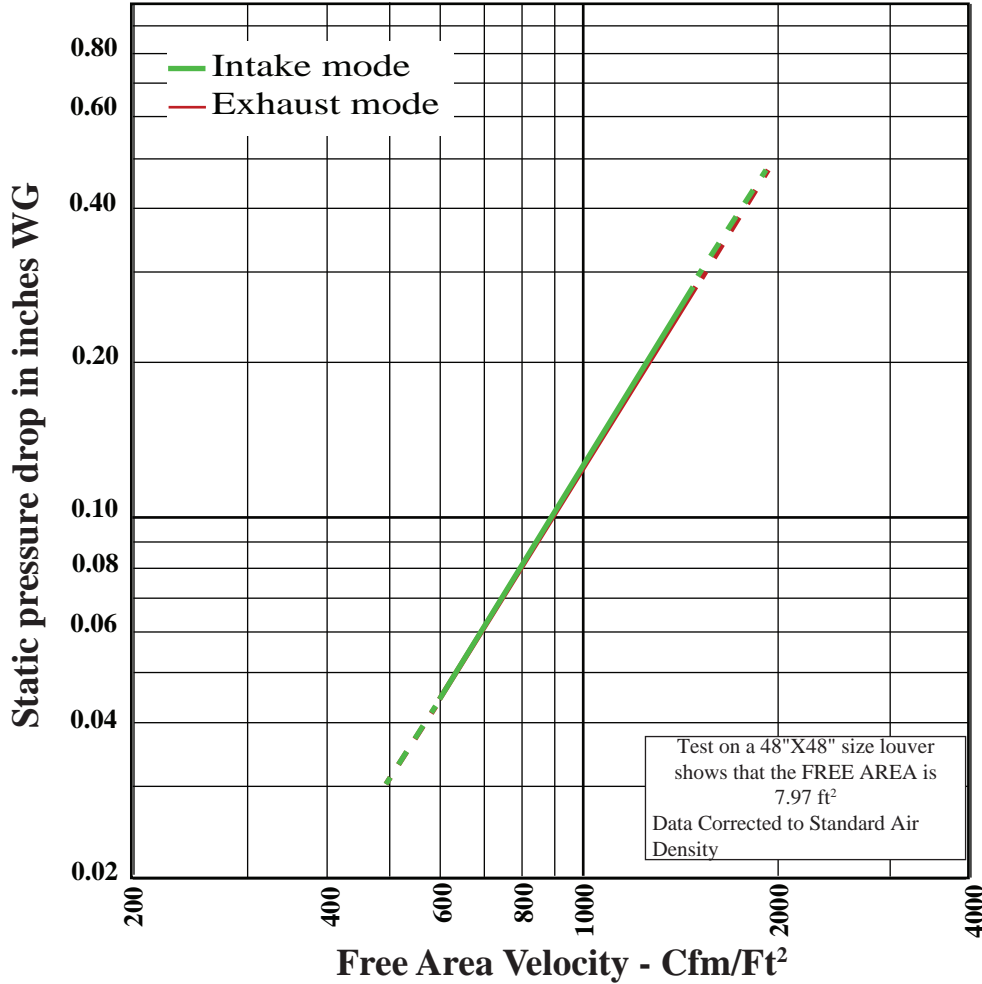
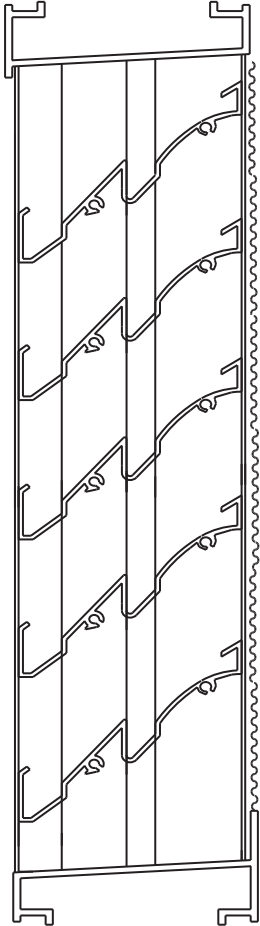


LOUVERS

MODEL K4-DL series

AIR PERFORMANCE

MODEL K4-DL series



FREE AREA CALCULATIONS ARE BASED ON TEST UNITS WITHOUT BIRD SCREEN
TEST CONDUCTED According to AMCA-500-L Fig 5.5



KBE International certify that K4-DL louver shown herein are licensed to bear the AMCA seal. The rating shown are based on test & procedures performed in accordance with the requirement of AMCA Certified rating Program. The AMCA Certified Rating Seal applies to Water Penetration & Air Performance rating Only.

HEIGHT

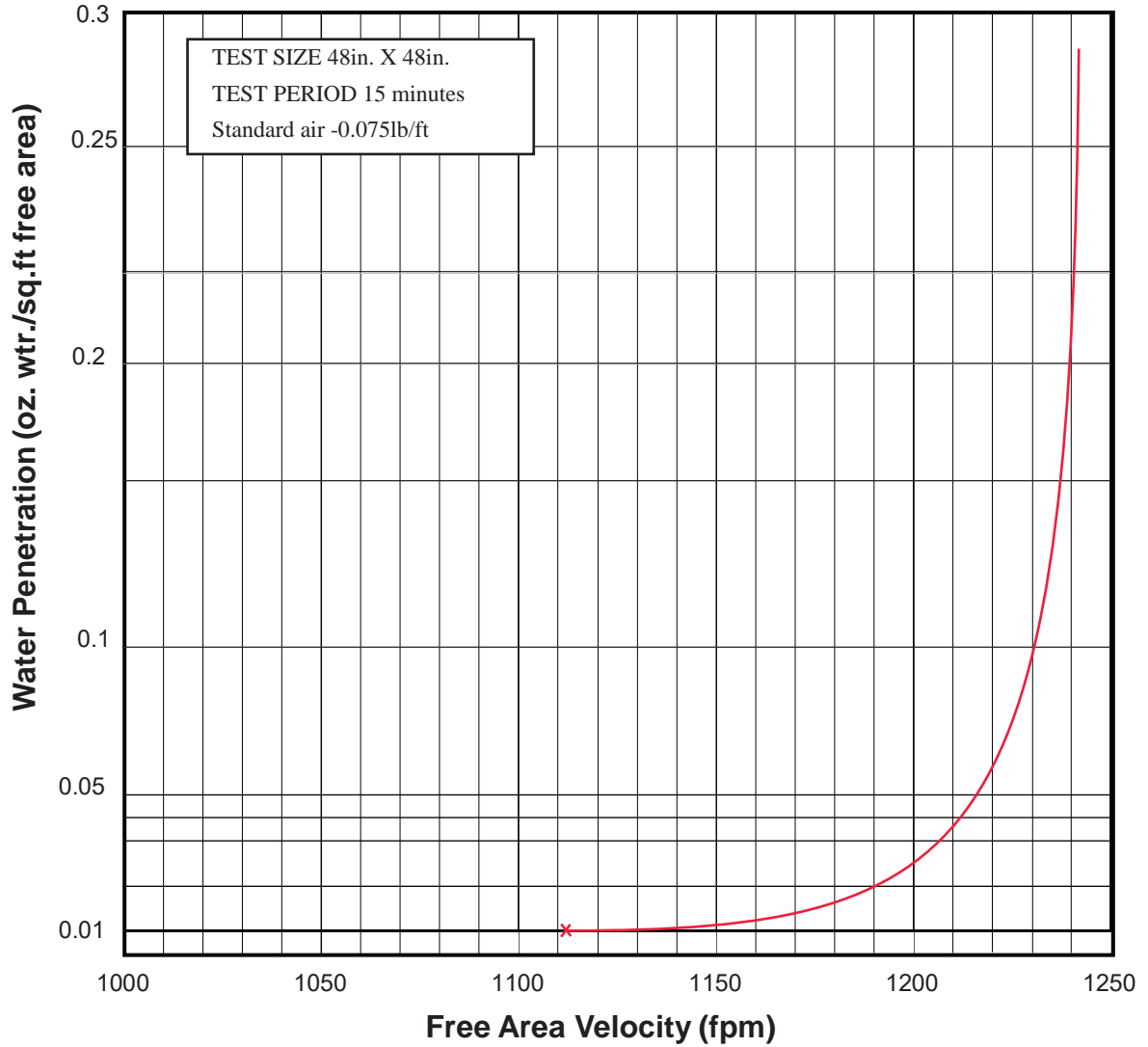
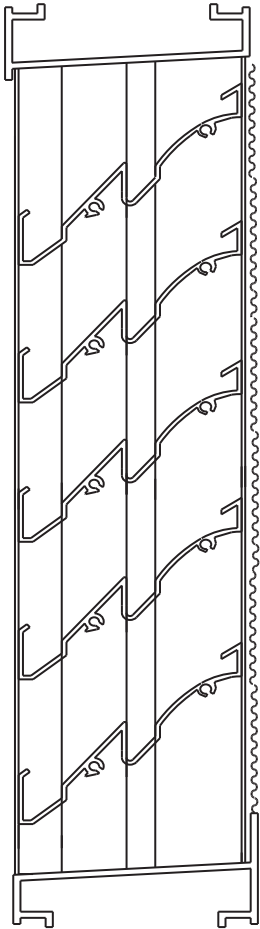
	FREE AREA IN SQ. FT WIDTH																							
Inch	12	18	24	30	36	42	48	54	60	66	72	78	84	90	92	96	102	108	114	120	126	132	138	144
12	0.27	0.42	0.58	0.74	0.90	1.06	1.22	1.38	1.54	1.70	1.86	2.02	2.18	2.33	2.39	2.49	2.65	2.81	2.97	3.13	3.29	3.45	3.61	3.77
18	0.53	0.85	1.17	1.49	1.80	2.12	2.44	2.76	3.08	3.40	3.71	4.03	4.35	4.67	4.78	4.99	5.31	5.62	5.94	6.26	6.58	6.90	7.22	7.53
24	0.80	1.29	1.77	2.25	2.74	3.22	3.70	4.18	4.67	5.15	5.63	6.11	6.60	7.08	7.24	7.56	8.05	8.53	9.01	9.49	9.98	10.46	10.94	11.42
30	0.94	1.50	2.06	2.62	3.19	3.75	4.31	4.87	5.44	6.00	6.56	7.12	7.68	8.25	8.43	8.81	9.37	9.93	10.50	11.06	11.62	12.18	12.75	13.31
36	1.20	1.92	2.65	3.37	4.09	4.81	5.53	6.25	6.97	7.70	8.42	9.14	9.86	10.58	10.82	11.30	12.02	12.75	13.47	14.19	14.91	15.63	16.35	17.07
42	1.47	2.35	3.23	4.11	4.99	5.87	6.75	7.63	8.51	9.39	10.27	11.15	12.04	12.92	13.21	13.80	14.68	15.56	16.44	17.32	18.20	19.08	19.96	20.84
48	1.73	2.77	3.81	4.85	5.89	6.93	7.97	9.01	10.05	11.09	12.13	13.17	14.21	15.25	15.60	16.29	17.33	18.37	19.41	20.45	21.49	22.53	23.57	24.61
54	2.00	3.20	4.40	5.60	6.79	7.99	9.19	10.39	11.59	12.79	13.99	15.19	16.39	17.58	17.98	18.78	19.98	21.18	22.38	23.58	24.78	25.98	27.18	28.38
60	2.26	3.62	4.98	6.34	7.70	9.05	10.41	11.77	13.13	14.49	15.84	17.20	18.56	19.92	20.37	21.28	22.64	23.99	25.35	26.71	28.07	29.43	30.78	32.14
66	2.40	3.83	5.27	6.71	8.15	9.58	11.02	12.46	13.90	15.34	16.77	18.21	19.65	21.09	21.57	22.52	23.96	25.40	26.84	28.27	29.71	31.15	32.59	34.03
72	2.66	4.26	5.86	7.45	9.05	10.65	12.24	13.84	15.44	17.03	18.63	20.23	21.82	23.42	23.95	25.02	26.61	28.21	29.81	31.41	33.00	34.60	36.20	37.79
78	2.93	4.68	6.44	8.19	9.95	11.71	13.46	15.22	16.98	18.73	20.49	22.24	24.00	25.76	26.34	27.51	29.27	31.02	32.78	34.54	36.29	38.05	39.80	41.56
84	3.19	5.11	7.02	8.94	10.85	12.77	14.68	16.60	18.51	20.43	22.34	24.26	26.17	28.09	28.73	30.00	31.92	33.84	35.75	37.67	39.58	41.50	43.41	45.33
90	3.46	5.53	7.61	9.68	11.75	13.83	15.90	17.98	20.05	22.13	24.20	26.28	28.35	30.42	31.12	32.50	34.57	36.65	38.72	40.80	42.87	44.94	47.02	49.09
92	3.59	5.74	7.90	10.05	12.21	14.36	16.51	18.67	20.82	22.98	25.13	27.28	29.44	31.59	32.31	33.75	35.90	38.05	40.21	42.36	44.52	46.67	48.82	50.98
96	3.72	5.96	8.19	10.42	12.66	14.89	17.12	19.36	21.59	23.82	26.06	28.29	30.53	32.76	33.50									
102	3.99	6.38	8.77	11.17	13.56	15.95	18.34	20.74	23.13	25.52	27.91	30.31	32.70	35.09	35.89									
108	4.12	6.59	9.07	11.54	14.01	16.48	18.95	21.43	23.90	26.37	28.84	31.32	33.79	36.26	37.08									
114	4.39	7.02	9.65	12.28	14.91	17.54	20.17	22.81	25.44	28.07	30.70	33.33	35.96	38.59	39.47									
120	4.65	7.44	10.23	13.02	15.81	18.60	21.39	24.19	26.98	29.77	32.56	35.35	38.14	40.93	41.86									
126	4.92	7.87	10.82	13.77	16.72	19.67	22.62	25.56	28.51	31.46	34.41	37.36	40.31	43.26	44.25									
132	5.18	8.29	11.40	14.51	17.62	20.73	23.84	26.94	30.05	33.16	36.27	39.38	42.49	45.60	46.63									
138	5.45	8.72	11.98	15.25	18.52	21.79	25.06	28.32	31.59	34.86	38.13	41.40	44.66	47.93	49.02									
144	5.71	9.14	12.57	15.99	19.42	22.85	26.28	29.70	33.13	36.56	39.99	43.41	46.84	50.27	51.41									

LOUVERS

MODEL K4-DL series

WATER PENETRATION

MODEL K4-DL series



The AMCA Water Penetration Test provides a method for comparing various louver models and designs as to their efficiency in resisting the penetration of rainfall under specific laboratory test conditions. The beginning point of water penetration is defined as that velocity where the water penetration curve projects through 0.01oz of water penetration per sq. ft. of louver free area.

Beginning of water penetration per AMCA Publication 511 Section 8.3.2 based on AMCA measured free area : 1112.9 fpm



KBE International certify that K4-DL louver shown herein are licensed to bear the AMCA seal. The rating shown are based on test & procedures performed in accordance with AMCA Publication 511 and comply with the requirements of the AMCA Certified Ratings Program The AMCA Certified Rating Seal applies to Water Penetration & Air Performance rating Only.

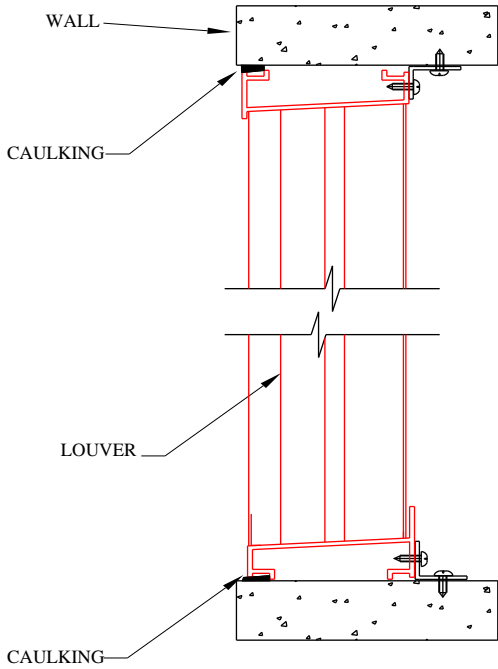
These performance ratings do not guarantee a louver to be weather-proof or stormproof and should be used in combination with other factors including good engineering judgement in selecting louvers.

LOUVERS

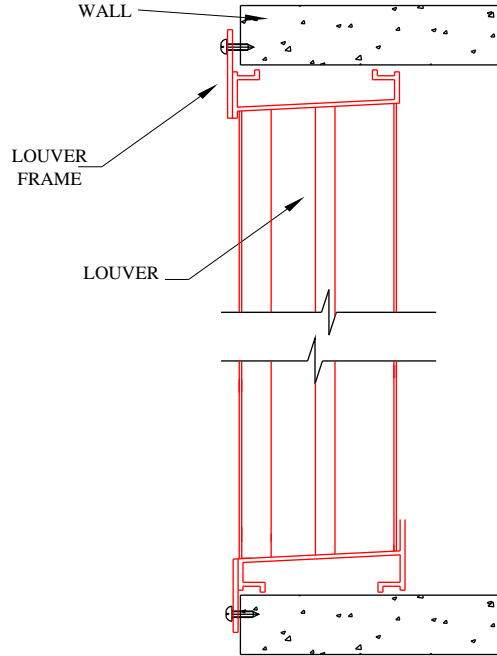
MODEL K4-DL series

TYPICAL INSTALLATION DETAILS

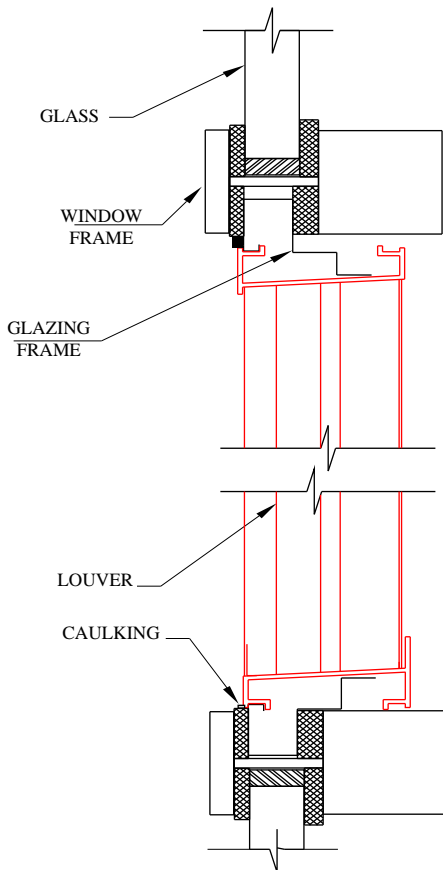
MASONRY WALL INSTALLATION



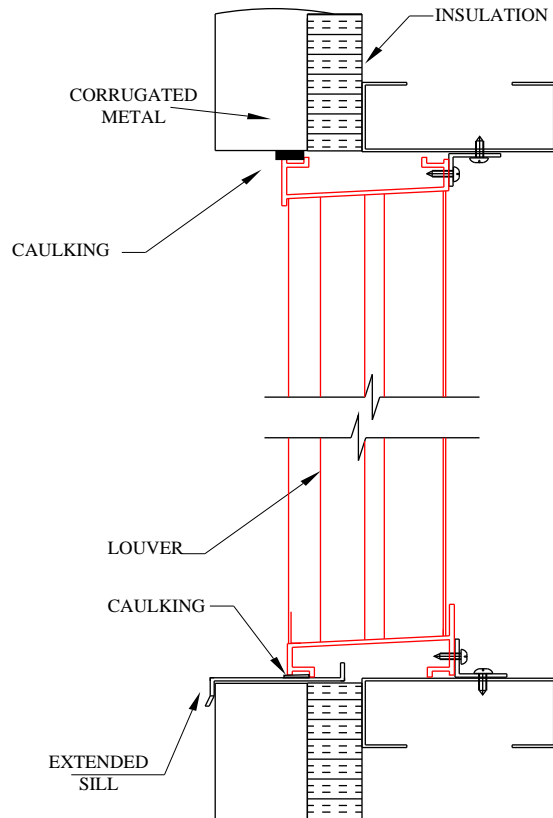
FLANGE MOUNT



GLAZING FRAME INSTALLATION



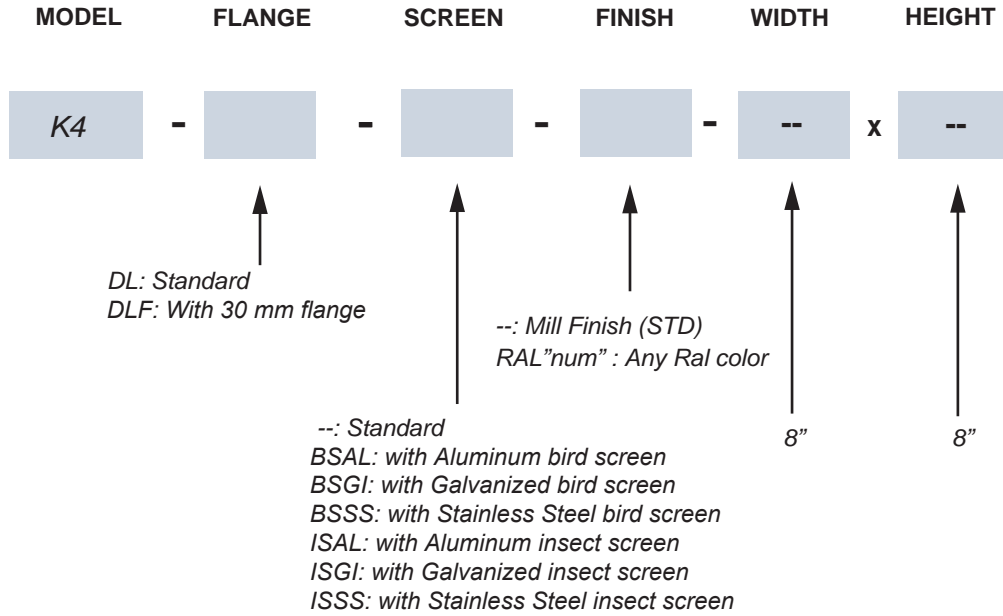
METAL PANEL INSTALLATION



LOUVERS

MODEL K4-DL series

ORDERING INFORMATION



• **Sizes:**

- Minimum size: 200x200mm (8"x8")
- Maximum size: 3658x2337mm (144"x92")
2337x3658mm (92"x144")

• **N.B: A 5mm clearance is deducted from your order size.**

For more information please consult our engineers.