

LOUVERS

MODEL ASTL

ALUMINUM SAND TRAP LOUVER

STANDARD CONSTRUCTION

FRAME

Extruded aluminum 2.0 mm (⁵/₆₄" nominal wall thickness and 75mm (3") depth.

BLADES

Extruded aluminum 2.0 mm (⁵/₆₄" nominal wall thickness

BLADE CENTERS:

105mm (4-³/₁₆" maximum center to center
Corrosion resistant steel fasteners used at assembly.

SAND DRIP:

Extruded aluminum 1.6 mm (¹/₁₆" nominal wall thickness

SCREENS:

- Galvanized bird screen (standard)
- Aluminum bird screen
- Stainless steel bird screen
- Galvanized insect screen
- Aluminum insect screen
- Stainless steel insect screen

FLANGE (Optional):

30mm extruded aluminum flange
50mm extruded aluminum flange

FILTER:

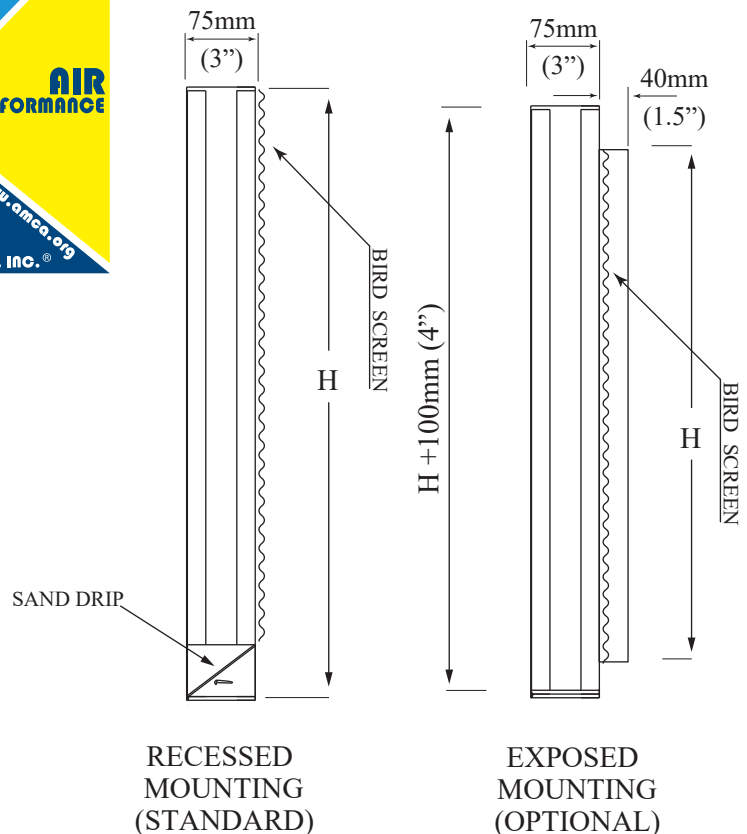
Aluminum washable filter (Optional)
AF100: 20 mm & 1 media layer
AF200: 48 mm & 2 media layers

FINISH:

- Mill Finish (standard)
- Anodize
- All RAL colors

SIZES:

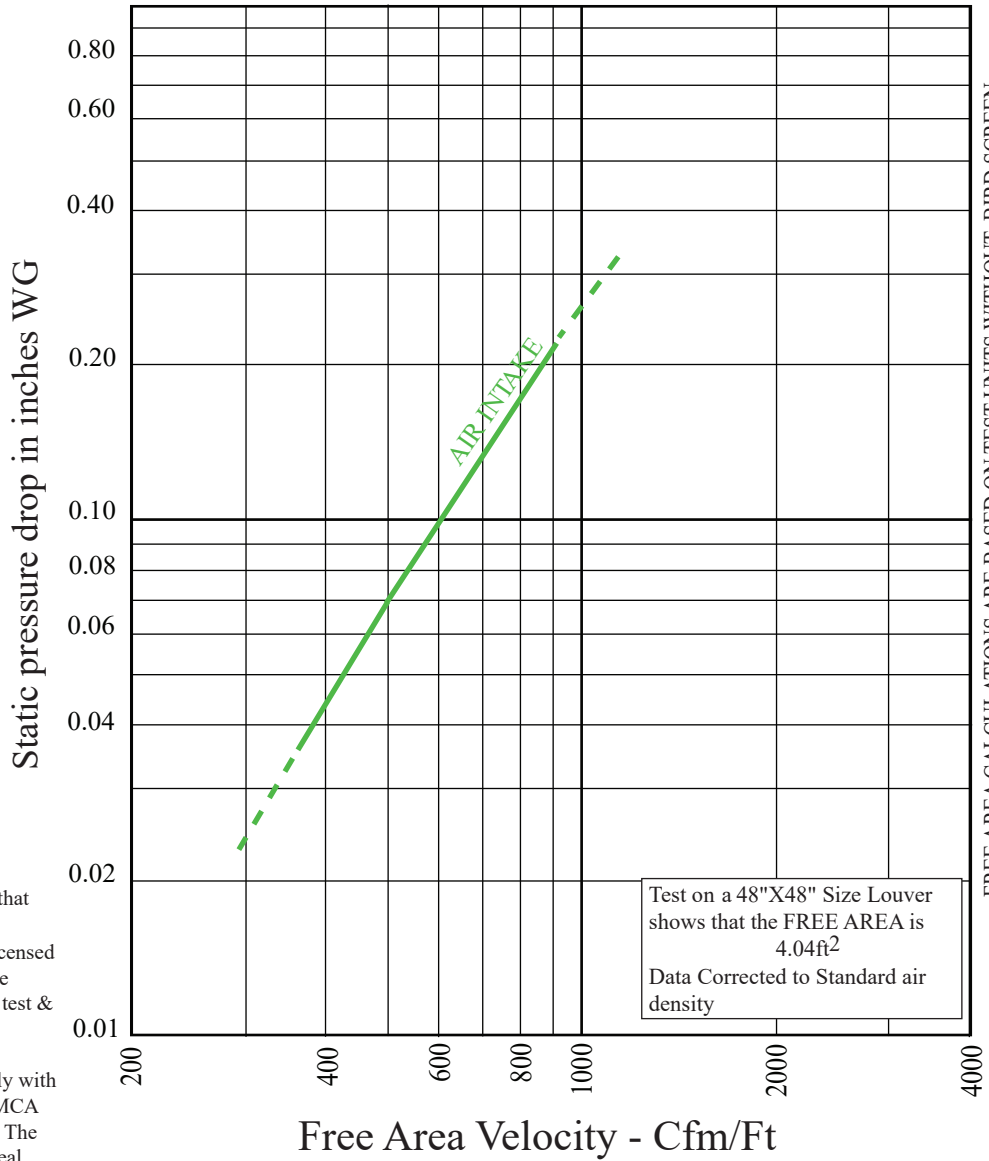
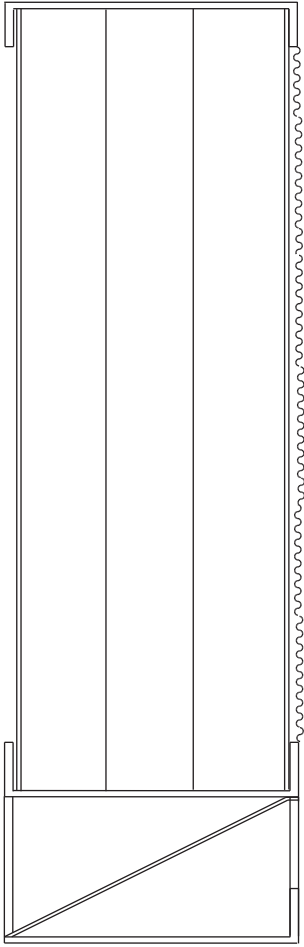
Minimum width: 12"
Minimum height: 12"
Maximum single section:
Width 144" x Height 92"
Width 92" x Height 96"
Maximum single section area: 13248 In²
Multiple section: Unlimited



N.B: 5mm clearance is deducted from your order size.

For more information please consult our engineers.

LOUVERS MODEL ASTL AIR PERFORMANCE



FREE AREA CALCULATIONS ARE BASED ON TEST UNITS WITHOUT BIRD SCREEN
TEST CONDUCTED According to AMCA-500-L Fig 5.5



KBE International certify that ASTL Recessed mounting louver shown herein are licensed to bear the AMCAs seal. The rating shown are based on test & procedures performed in accordance with AMCA Publication 511 and comply with the requirements of the AMCA Certified Ratings Program The AMCA Certified Rating Seal applies to Air Performance rating Only.

WIDTH

Inch	12	18	24	30	36	42	48	54	60	66	72	78	84	90	92	96	102	108	116	120	126	132	138	144
12	0.14	0.28	0.35	0.49	0.56	0.70	0.77	0.91	0.98	1.05	1.19	1.26	1.40	1.47	1.54	1.61	1.68	1.82	1.96	2.03	2.10	2.17	2.31	2.38
18	0.24	0.48	0.60	0.84	0.96	1.20	1.32	1.55	1.67	1.79	2.03	2.15	2.39	2.51	2.63	2.75	2.87	3.11	3.35	3.47	3.59	3.71	3.95	4.07
24	0.34	0.68	0.85	1.18	1.35	1.69	1.86	2.20	2.37	2.54	2.87	3.04	3.38	3.55	3.72	3.89	4.06	4.40	4.73	4.90	5.07	5.24	5.58	5.75
30	0.44	0.87	1.09	1.53	1.75	2.19	2.40	2.84	3.06	3.28	3.72	3.93	4.37	4.59	4.81	5.03	5.24	5.68	6.12	6.34	6.56	6.77	7.21	7.43
36	0.54	1.07	1.34	1.88	2.14	2.68	2.95	3.48	3.75	4.02	4.56	4.82	5.36	5.63	5.90	6.16	6.43	6.97	7.50	7.77	8.04	8.31	8.84	9.11
42	0.63	1.27	1.59	2.22	2.54	3.17	3.49	4.13	4.44	4.76	5.40	5.71	6.35	6.67	6.98	7.30	7.62	8.25	8.89	9.21	9.52	9.84	10.48	10.79
48	0.73	1.47	1.83	2.57	2.94	3.67	4.04	4.77	5.14	5.50	6.24	6.61	7.34	7.71	8.07	8.44	8.81	9.54	10.28	10.64	11.01	11.38	12.11	12.48
54	0.83	1.67	2.08	2.92	3.33	4.16	4.58	5.41	5.83	6.25	7.08	7.50	8.33	8.75	9.16	9.58	9.99	10.83	11.66	12.08	12.49	12.91	13.74	14.16
60	0.93	1.86	2.33	3.26	3.73	4.66	5.13	6.06	6.52	6.99	7.92	8.39	9.32	9.78	10.25	10.72	11.18	12.11	13.05	13.51	13.98	14.44	15.38	15.84
66	1.03	2.06	2.58	3.61	4.12	5.15	5.67	6.70	7.22	7.73	8.76	9.28	10.31	10.82	11.34	11.85	12.37	13.40	14.43	14.95	15.46	15.98	17.01	17.52
72	1.13	2.26	2.82	3.95	4.52	5.65	6.21	7.34	7.91	8.47	9.60	10.17	11.30	11.86	12.43	12.99	13.56	14.69	15.82	16.38	16.95	17.51	18.64	19.21
78	1.23	2.46	3.07	4.30	4.91	6.14	6.76	7.99	8.60	9.22	10.44	11.06	12.29	12.90	13.52	14.13	14.74	15.97	17.20	17.82	18.43	19.05	20.27	20.89
84	1.33	2.66	3.32	4.65	5.31	6.64	7.30	8.63	9.29	9.96	11.29	11.95	13.28	13.94	14.60	15.27	15.93	17.26	18.59	19.25	19.92	20.58	21.91	22.57
90	1.43	2.85	3.57	4.99	5.71	7.13	7.85	9.27	9.99	10.70	12.13	12.84	14.27	14.98	15.69	16.41	17.12	18.55	19.97	20.69	21.40	22.11	23.54	24.25
92	1.46	2.92	3.65	5.11	5.84	7.30	8.03	9.49	10.22	10.95	12.41	13.14	14.60	15.33	16.06	16.79	17.52	18.98	20.43	21.16	21.89	22.62	24.08	24.81
96	1.53	3.05	3.81	5.34	6.10	7.63	8.39	9.92	10.68	11.44	12.97	13.73	15.26	16.02	16.78									

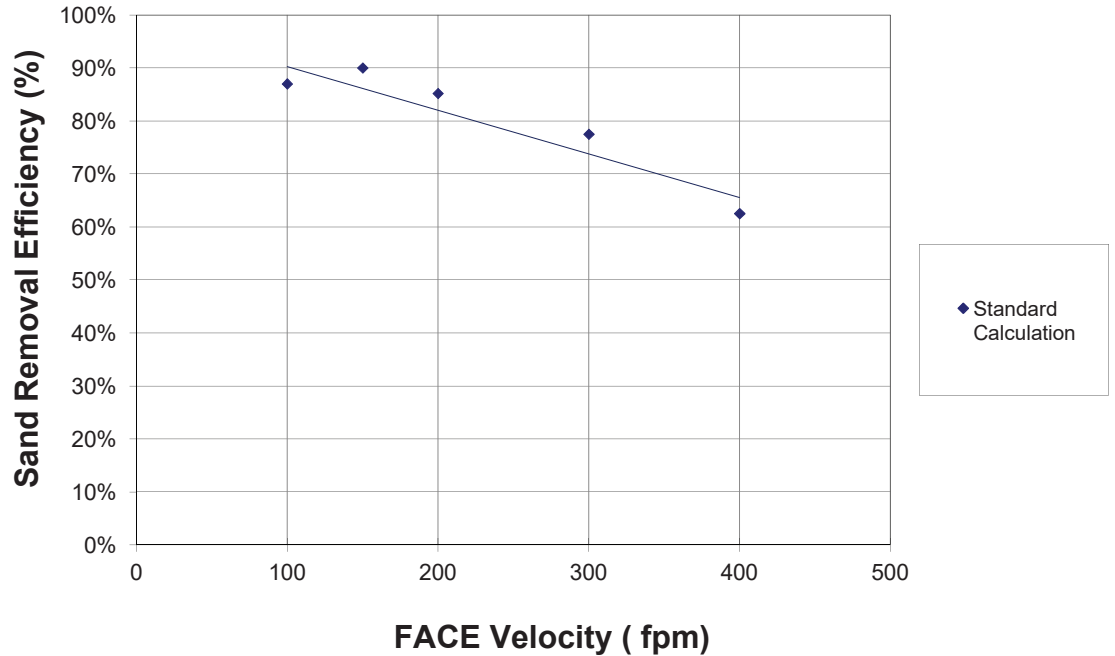
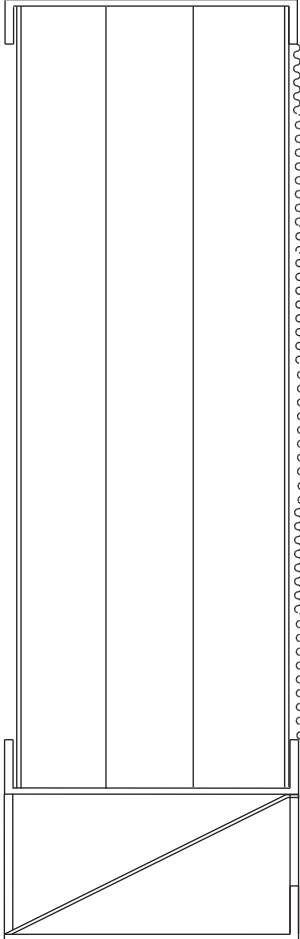
FREE AREA IN FT²
(RECESSED MOUNTING)

H
E
I
G
H
T

LOUVERS

MODEL STL & ASTL

DUST ARRESTANCE TEST REPORT



RTI LAB Report No. B01141401

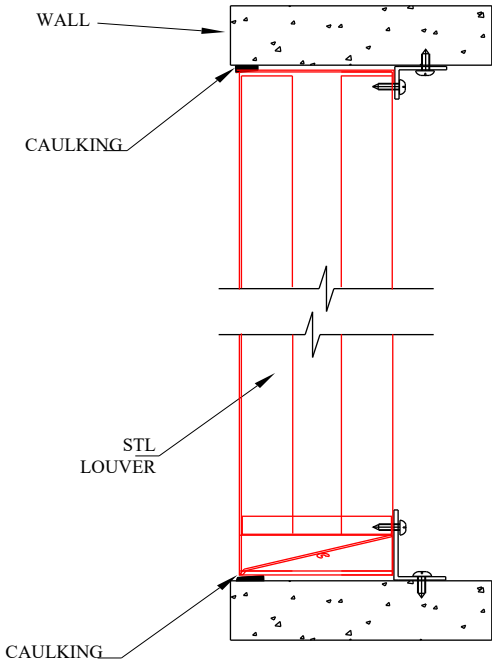
Test Description A non-standard dust (150-300 μm Graded Crushed Quartz) was fed to the sand louver using standard ASHRAE 52.2 test methodology. One dust load was performed at each of the air velocities shown. The weight of dust fed, the amount of dust swept up in the duct upstream of the filter after the dust load and blow-off, the weight of dust downstream of the filter, the weight of the final filter before and after the dust load, and the pressure drop across the louver were recorded. The dust, being very large, did not all reach the filter. However, the standard arrestance calculation does not include subtracting this dust from the dust fed because it is assumed that all of the dust will reach the filter. Since it seemed needed to do this for this dust, the results are reported showing the standard calculation.

LOUVERS

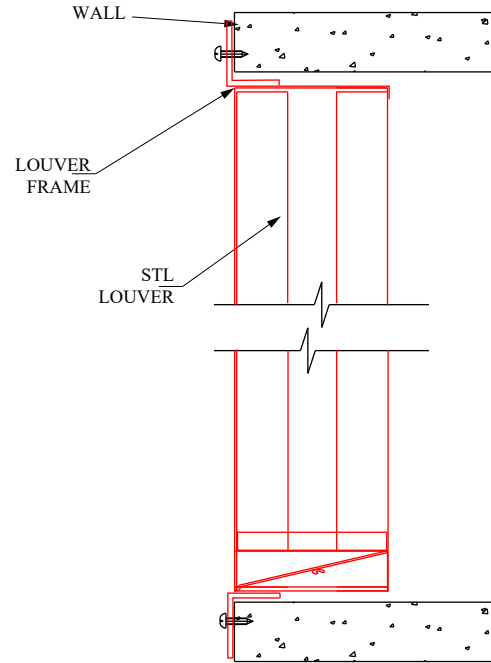
MODEL STL & ASTL

TYPICAL INSTALLATION DETAILS

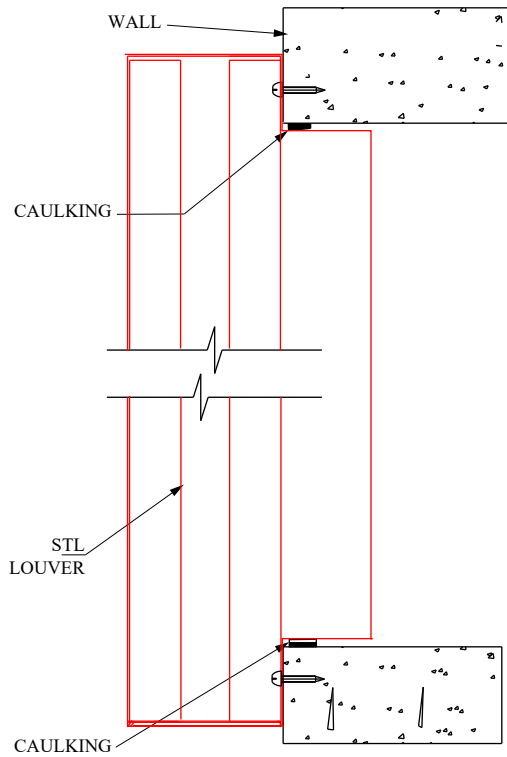
MASONRY WALL INSTALLATION



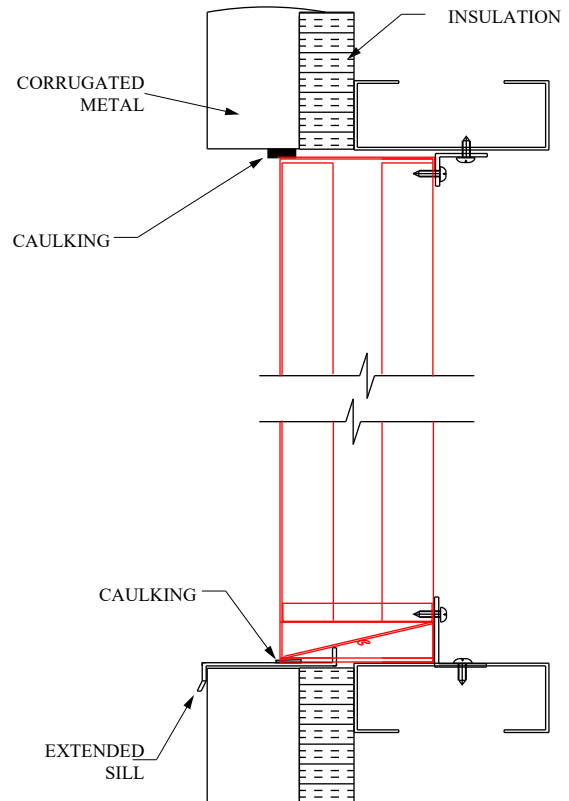
FLANGE MOUNT



MASONRY WALL INSTALLATION (EXPOSED)



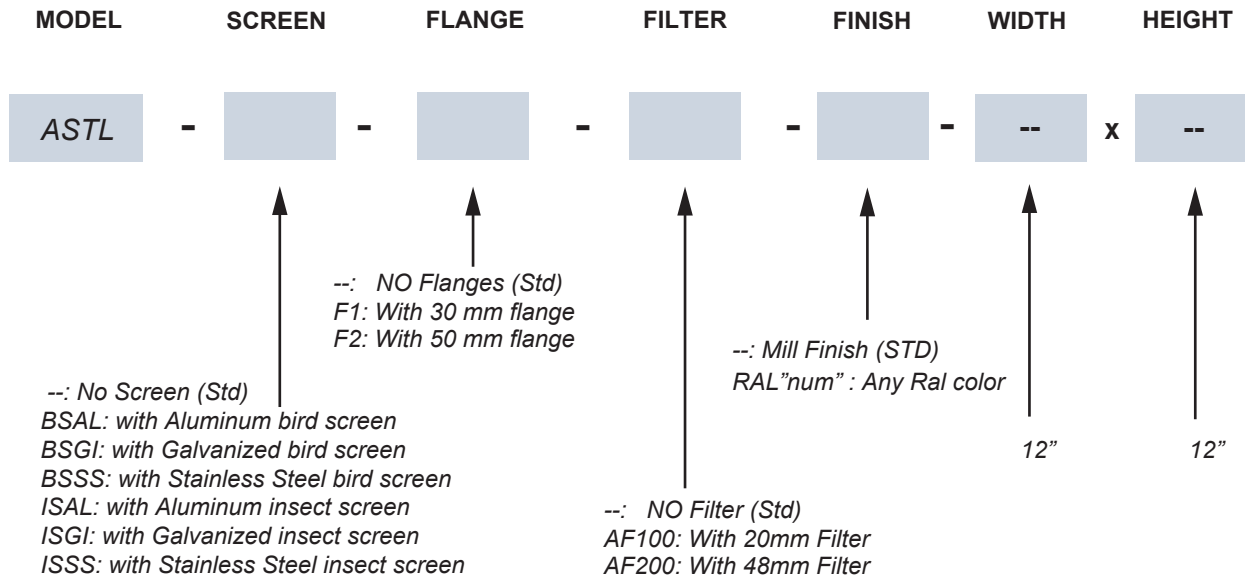
METAL PANEL INSTALLATION



LOUVERS

MODEL ASTL

ORDERING INFORMATION



• Sizes:

- Minimum size: 300x300mm (12"x12")
- Maximum size: 3658x2337mm (144"x92")
2337x2440mm (92"x96")

•N.B: A 5mm clearance is deducted from your order size.

For more information please consult our engineers.