

VOLUME CONTROL DAMPER

SQUARE-RECTANGLE KVCD-AF

APPLICATION

KVCD-AF, Volume Control Damper, is designed to provide superior air control with high performance and heavy duty construction.

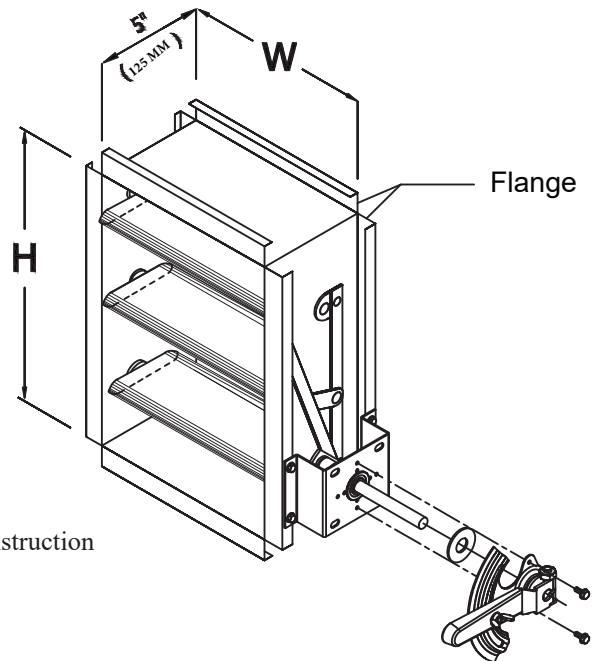
FEATURED STANDARD CONSTRUCTION



- FRAME:
 - Constructed from 18 Ga (1.2 mm) galvanized steel.
- BLADES:
 - Constructed from extruded aluminum Airfoil blades.
- BLADE ARRANGEMENT:
 - Parallel blade arrangement.
- BEARINGS:
 - Plastic bearings.
 - Bronze bearings for motorized volume damper.
- AXLES:
 - 0.47" (12mm) square zinc plated steel stud.
- LINKAGE:
 - Concealed in frame 10 Ga zinc plated steel.
- BRACKET:
 - 1" elevated hand bracket
- MANUAL HAND-QUADRANT:
 - Galvanized steel die cast hand-quadrant plated for square or round shaft installed on an elevated hand bracket.
- FLANGE:
 - 3.5 cm duct flange, same thickness as construction.
- FINISH:
 - Mill Finish
- SIZES:
 - Minimum size: 4"x4"
 - Maximum size: 48"x48"

OPTIONS

- With blade seal
- Low leakage: with sealant and jamb seal
- Ultra low leakage: with sealant, blade seal and jamb seal
- Opposed blade arrangement
- Galvanized or Stainless steel (304 or 316) blade
 - Highlighted sizes: 1 mm blade thickness
 - Non-highlighted sizes: 1.5 mm blade thickness
- Galvanized, Stainless Steel (304 or 316) or Aluminum construction
- 1.5 mm frame thickness.
- 1.0 mm frame thickness (not available for Aluminum Construction
Maximum size 24"x24" for low and ultra-low leakage).
- Bronze or Stainless Steel bearing
- Duct Flange sizes: 2 cm, 2.5 cm, 3 cm or 4 cm.
- 2" elevated hand bracket
- Motorized volume damper
 - Electric or pneumatic actuator
 - Spring return or non spring return actuator
 - 24V (AC or DC) or 230V (AC)
 - With or without Auxiliary Switch
- Extended shaft: Without hand quadrant, with 4.7" (120 mm) extended shaft beyond the air control frame
- Limit switch



Width \ Height	4	5	6	8	10	12	14	...	48
4									
5									
6									
8									
10									
12									
14									
...									
48									